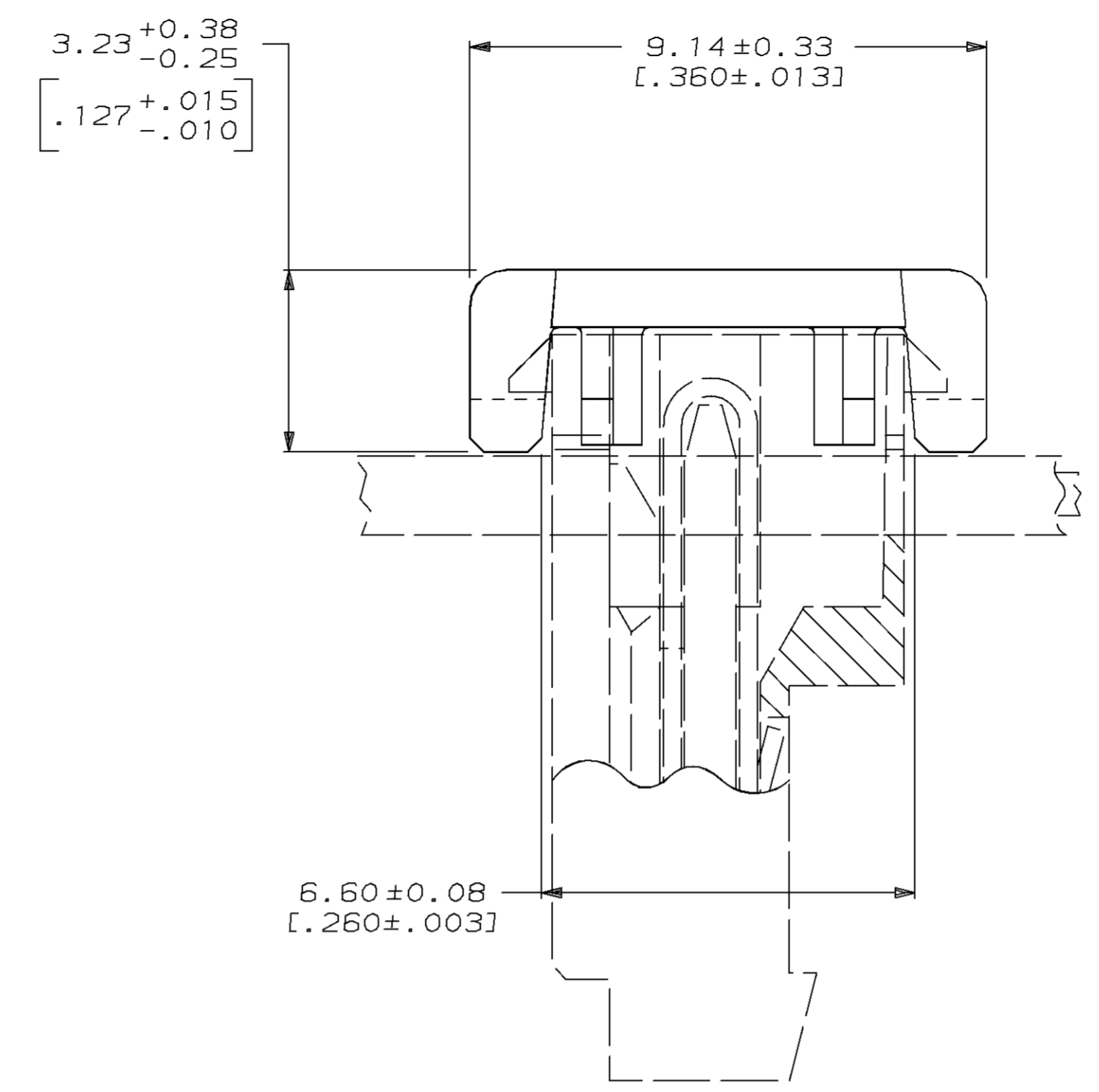
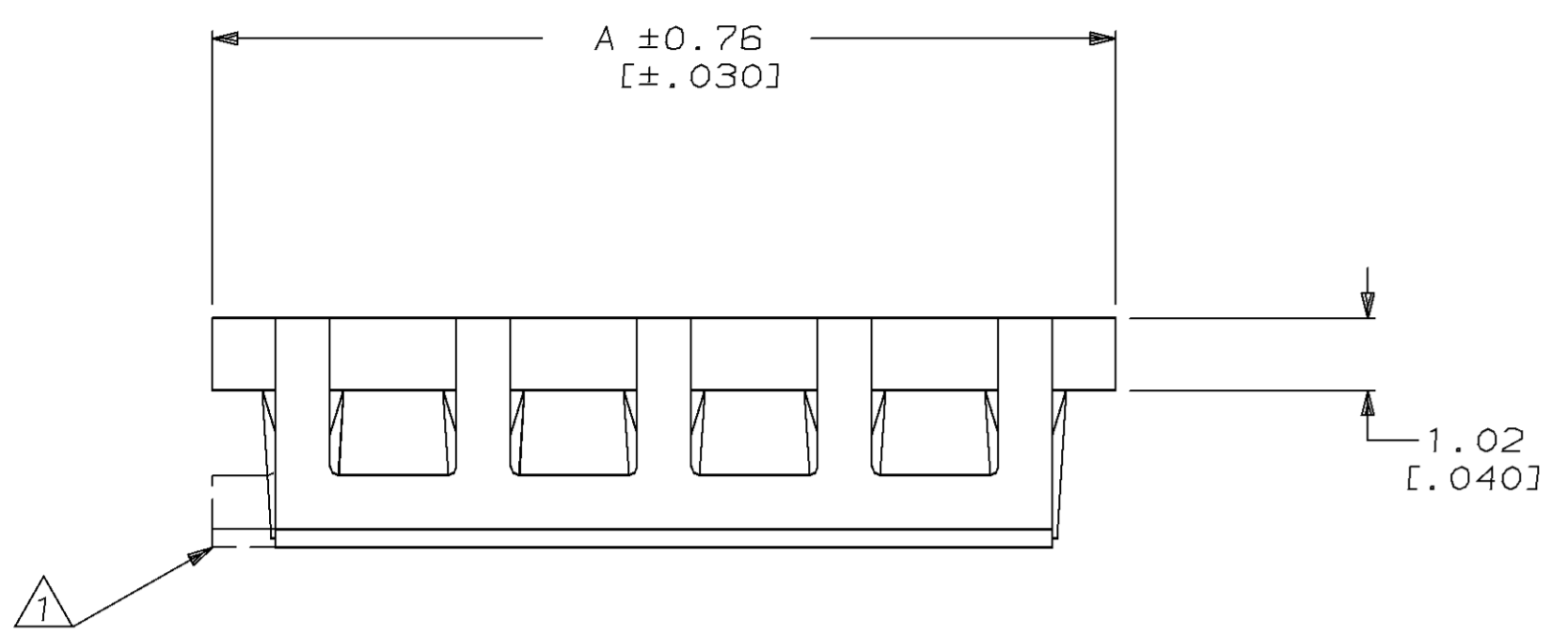
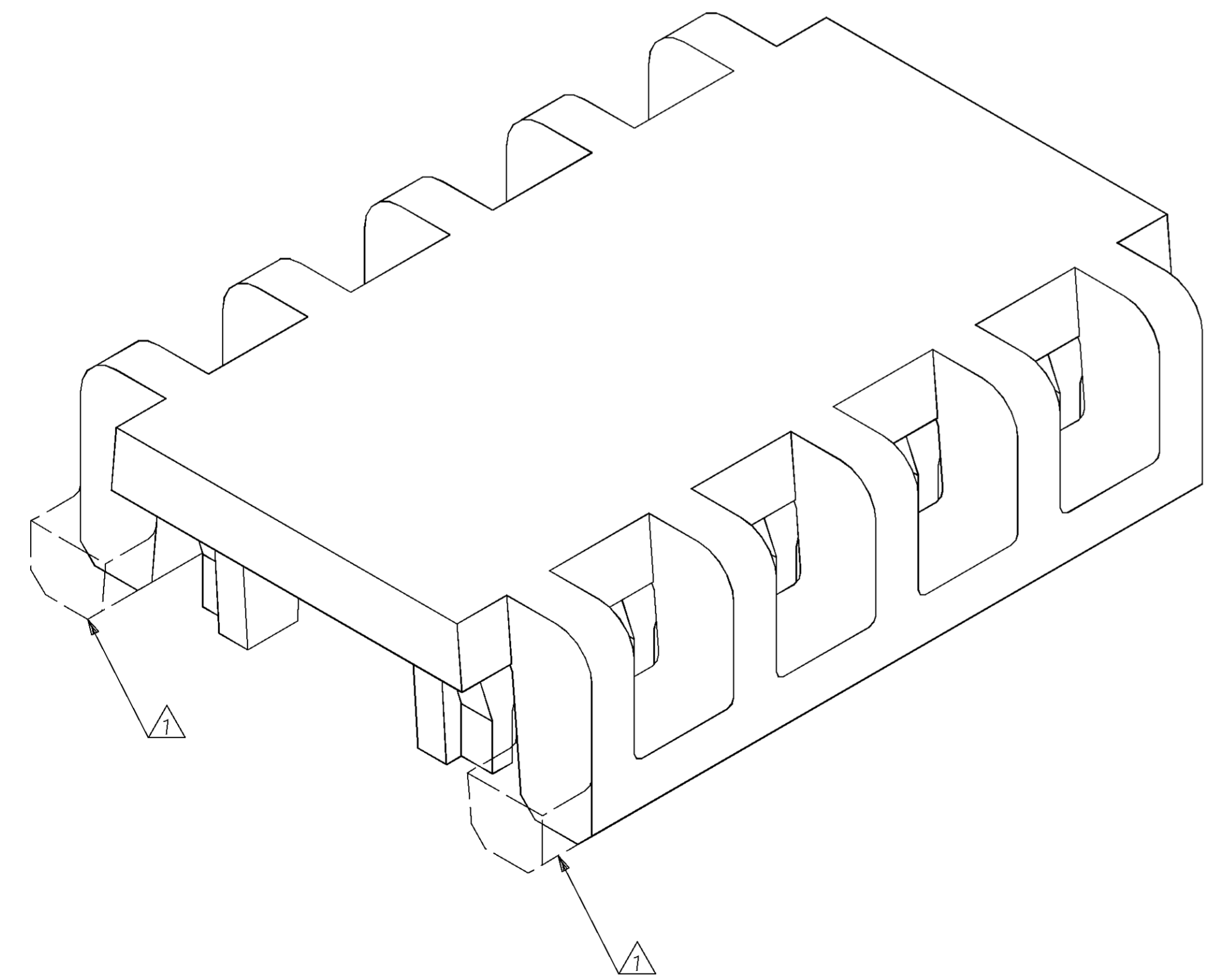


LOC		DIST		P		F		ZONE		LTR		REVISIONS		DATE	APPD
												DESCRIPTION			
CM	54											L	REACT -17,-19,-21,-22,-23, & -25, -26,-27 PER EC 0730-0096-96	6-7-96	JH



1. PART MAY BE MOLDED TO DESIRED POSITION SIZE OR CUT TO DESIRED POSITION SIZE FROM A LARGER POSITION SIZE PART. WHEN PART IS CUT TO DESIRED POSITION SIZE, A PORTION OF FRONT LOCKING BAR WILL REMAIN ATTACHED.

2. DIMENSIONS IN BRACKETS ARE IN INCHES.



28 CIRCUIT ASSEMBLES	71.12 [2.800]	2-643077-8
27 CIRCUIT ASSEMBLES	68.58 [2.700]	2-643077-7
26 CIRCUIT ASSEMBLES	66.04 [2.600]	2-643077-6
25 CIRCUIT ASSEMBLES	63.50 [2.500]	2-643077-5
24 CIRCUIT ASSEMBLES	60.96 [2.400]	2-643077-4
23 CIRCUIT ASSEMBLES	58.42 [2.300]	2-643077-3
22 CIRCUIT ASSEMBLES	55.88 [2.200]	2-643077-2
21 CIRCUIT ASSEMBLES	53.34 [2.100]	2-643077-1
20 CIRCUIT ASSEMBLES	50.80 [2.000]	2-643077-0
19 CIRCUIT ASSEMBLES	48.26 [1.900]	1-643077-9
18 CIRCUIT ASSEMBLES	45.72 [1.800]	1-643077-8
17 CIRCUIT ASSEMBLES	43.18 [1.700]	1-643077-7
16 CIRCUIT ASSEMBLES	40.64 [1.600]	1-643077-6
15 CIRCUIT ASSEMBLES	38.10 [1.500]	1-643077-5
14 CIRCUIT ASSEMBLES	35.56 [1.400]	1-643077-4
13 CIRCUIT ASSEMBLES	33.02 [1.300]	1-643077-3
12 CIRCUIT ASSEMBLES	30.48 [1.200]	1-643077-2
11 CIRCUIT ASSEMBLES	27.94 [1.100]	1-643077-1
10 CIRCUIT ASSEMBLES	25.40 [1.000]	1-643077-0
9 CIRCUIT ASSEMBLES	22.86 [1.900]	643077-9
8 CIRCUIT ASSEMBLES	20.32 [1.800]	643077-8
7 CIRCUIT ASSEMBLES	17.78 [1.700]	643077-7
6 CIRCUIT ASSEMBLES	15.24 [1.600]	643077-6
5 CIRCUIT ASSEMBLES	12.70 [1.500]	643077-5
4 CIRCUIT ASSEMBLES	10.16 [1.400]	643077-4
3 CIRCUIT ASSEMBLES	7.62 [1.300]	643077-3
2 CIRCUIT ASSEMBLES	5.08 [1.200]	643077-2
USE ON MTA 100 ASSEMBLIES AS LISTED		PART NO

DO NOT SCALE PRINT. UNLESS SPECIFIED DIMENSIONS IN mm [INCHES] TOLERANCES ON: 2 PLC DEC ± - 3 PLC DEC ± 0.13 [1.005] ANGLES ± -	DR 7-8-91 T. BECK CHK 7-8-91 R. SWING APPD 7-8-91 T. WERT APPD 7-8-91 T. WERT	AMP AMP Incorporated Harrisburg, PA 17105-3608 NAME COVER, FEED-THRU, MOLDED, .060 MAX, O.D. WIRE, MTA-100		
MATERIAL NYLON, UL 94V-2 WHITE	PRODUCT SPEC -	FINISH -	APPLICATION SPEC -	WEIGHT -
SIZE D	CAGE CODE 00779	DRAWING NO 643077	SHEET 1 OF 1	
SCALE 10:1	CUSTOMER DRAWING			

